



the
ACADEMY ART LIGHT



Charter

LIGHTING

THE ACADEMY ART LIGHT RANGE

As collectors and curators of Art, you have always been aware of the critical importance of proper light quality to bring to life the true colours of the paintings in your care whilst protecting them from degradation.

For too long, picture lights have fallen short of your exacting standards. Lamps have been too hot, lamp-life too short, and light coverage has been uneven. More recently, LEDs have come onto the scene to resolve some of these challenges; but they have tended not to deliver full spectrum-balanced light with a resulting cold, flat tonality to their whiteness. And the problem of poor light coverage has persisted.

Drawing on years of experience and specialist work with art collections around the world, we are now able to combine the best in contemporary lighting technology with flexible and varied design to bring you the unique Academy Art Light range of picture lighting products. These have been specially developed to satisfy the stringent and widely-divergent demands of art-owners all over the world.

Our art lights are designed, fabricated and hand-finished in the UK using traditional crafting and assembly techniques. Metalwork is typically finished in rich Old Gold flecked wet paint, but bespoke colours are available, and we can even re-use your existing fittings.








Charter

LIGHTING



Featuring the best and latest in low-energy, long-life LED technology, with the LEDs being arranged as individually-lensed and adjustable modules inside the classic-shaped head, The Academy Art Light range provides the whole picture lighting solution which is capable of customisation to suit almost any size of art canvas.



THE ACADEMY ART LIGHT RANGE FEATURES:

CRI of Ra96 min. delivers exceptional light quality

2700°K colour temperature brings extra richness to the warm-white tonality

No damaging UV or heat emissions ensure proper conservation

Variable light distribution using tilt and slide facilities on modules

Easy to fit, and supplied complete with own dedicated LED driver

Available in a range of head & arm dimensions

Suits a wide scope of canvas sizes from 250-2500mm high to 250-3000mm wide

40,000-hour life for very genuine maintenance-free longevity

Dimmable via standard Triac switch modules, with filtration for individual LEDs

Hardware is uniquely maintainable in situ

Backed by our 3-year warranty

...our approach is Traditional....

THE ACADEMY ART LIGHT GALLERY

The Academy Art Light is today's top-of-the-range picture light, which has been painstakingly developed to address the challenges associated with lighting paintings correctly, according to type; and well, regardless of size.

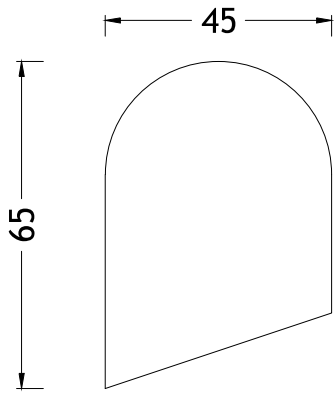
Customisation is standard, with variable arm lengths and profiles, head sizes in incremental lengths from 100mm (4") to 3000mm (120"), several paint finishes, and even special mounting bracketry design.

The lensed modules are available in four beam angles to project or disperse the light down and across the canvas, as well as being adjustable in tilt and positioning within the head. Individual modules can be moved, removed and the whole added to, offering absolutely unique tailoring to your needs to an unprecedented level.

Whatever is required will be calculated by us and delivered to you, ready for simple installation. A fully bespoke service of on-site consultancy, installation and focusing is also available according to your requirements.

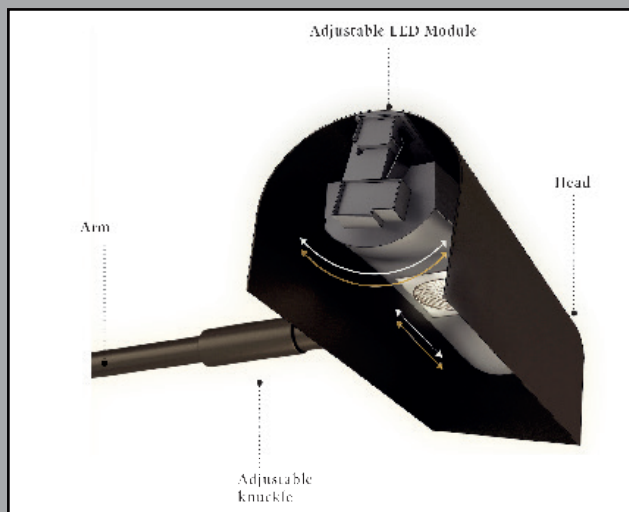
When dealing with our heritage, we believe it is critical to future-proof what we do now. Thus the individual LED modules are not only **removable**, but they are also **replaceable** and therefore **maintainable**, for many decades to come.





- Light Head Profile (mm)





Technical Information

Product Code: AnLightAcademy

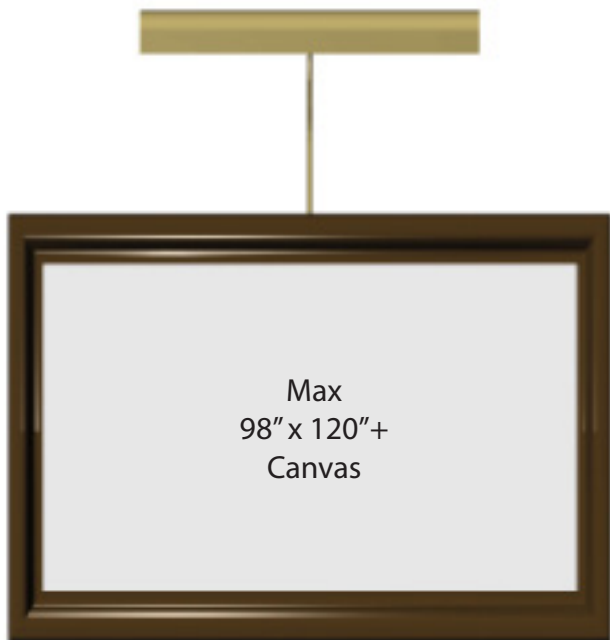
Colour	CR1EJ951
Bonding	
Colour	7000PK
Temperature	
Power	1.8W (per LED)
Lumen Output	58lm (per LED)
Voltage	14V Constant Voltage
Lamp Life	40,000 Hrs
Beam Angle	1to 30; 45; 60
Dimmable	Triac mains leading edge, 0-10V, DALI
Finish	Gold Satin, Bronze Satin
Certification	CE, RoHS, IP33, Class 1
Warranty	3 years
UV Output	Zero
Driver	12W or 20W
Lead Width	1-81 - 308mm ²
Weight	300 - 600g ⁴

⁴Variable depending on painting dimensions

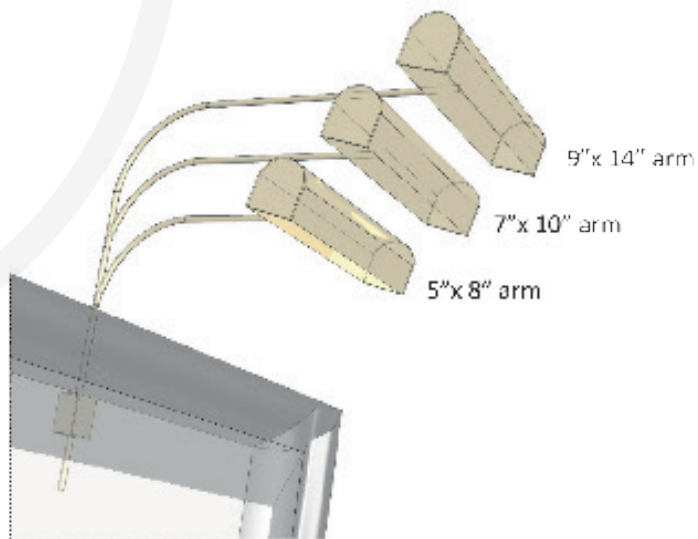
Drivers placed remotely



Canvas Dimensions



Arm Lengths



....our technology is Contemporary....

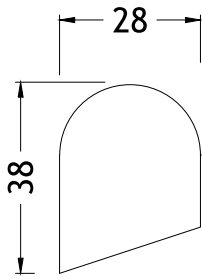
THE ACADEMY ART LIGHT FINELINE

The FineLine Art Light is a recent addition to our picture light range. This new style has been designed to deliver beautiful and balanced lighting from the smallest possible classic-shaped light head. With elegant slender arm supports which provide adjustment in height and articulation, the span of light distribution belies the discreet profile of the hardware.

The optically-dispersed array of linear LED modules brings all the advantages of contemporary lighting technology without compromising quality – with a high CRI of Ra96 across a fully-balanced spectrum that is so critically important for the proper illumination of fine art.

The FineLine Art Light is available in a standard range of sizes from 150mm (6") to 900mm (36") in 6" increments, making it quick and easy to specify.





- Light Head Profile (mm)



THE ACADEMY ART LIGHT DIDDY

The Very Diddy Art Light derives its name (and impeccable pedigree) from its widespread use in the Royal Household Collections.

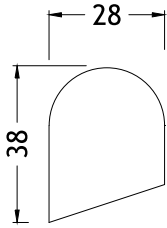
This little Picture Light head measures a mere 75mm (2 ½ ") in length and less than 40mm (just over 1") wide.

It contains a single 1.8W Nichia full spectrum LED, lensed to deliver a controlled but well-distributed beam of light, with 2 beam angles being available for pre-selection as standard to suit either a landscape or portrait painting.

With detachable head and variable length arms, a truly surprising range of coverage can be achieved, and whole canvases measuring up to 450mm x 600mm (18" x 24") can be well lit, with minimal visual impact from the light fixture itself.

Hard coat paint finished in Classic Old Gold as standard, but with other finishes available to order.





- Light Head Profile (mm)



THE ACADEMY ART LIGHT ARM LENGTHS

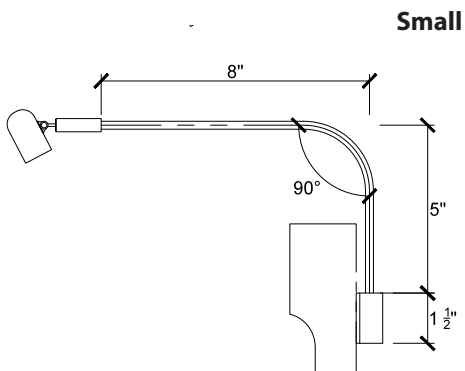
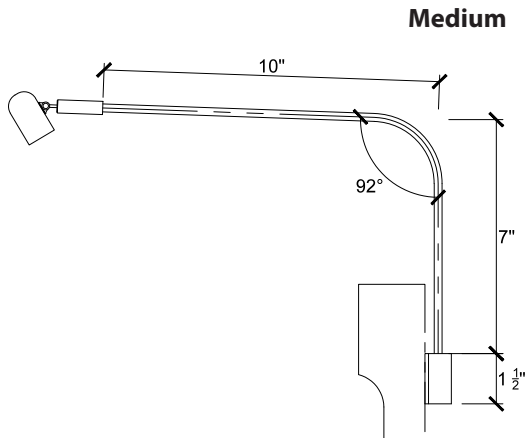
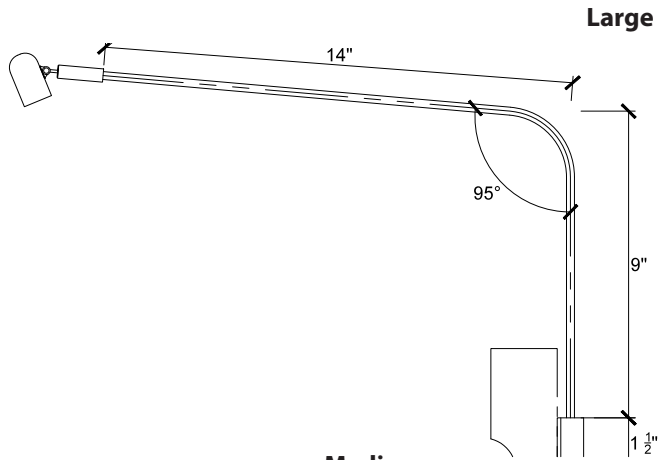
The Academy Art Light incorporates a different length of 'arm' depending on the application and size of painting which the light is intended to cover.

The arms allow the light from the picture head to extend away from the painting and balance any increase of light output and spread of light across the canvas. This avoids the common 'hot spot' seen with many other picture light applications. The articulating knuckle joint also provides for on-site dressing of the light.

Depending on the size and orientation of painting, the arms will be sized as displayed opposite.

In all cases the arm height can easily be modified on-site by sliding it up and down within the mounting block - thereby avoiding conflict with low coving and cornices.

All Charter Lighting picture light products are manufactured and quality-assured in the UK by Absolute Action Ltd.



THE ACADEMY ART LIGHT RETROFIT(service)

In some properties, picture lights have already been in use for many years. They have mellowed with the wallpaper and faded with the upholstery, and are part of the story. They belong; no-one wants to change them - but the new technology is so inviting for energy-conservation and maintenance reduction that every effort must be made.

Indeed, some of the more traditional lamps needed for replacement are now very difficult to come by.

We are able to help you here, too - but experience has taught us that these established favourites come in all shapes and sizes. We offer a comprehensive range of retrofit options that either settle easily into the existing hardware, or can be configured to sit alongside it.

Upgrades can sometimes be undertaken on-site, but more often we suggest that the existing picture lights are simply uncoupled and packed ready for our collection.

We assess which kind of retrofit option is most appropriate, undertaking a check and upgrade of any tired wiring at the time. When the picture lights are returned to you they are genuinely fully refreshed as well as fitted with the optimum in our range of quality, long-life, low energy LED technology.



©



Charter

LIGHTING

www.charterlighting.com | enquiries@charterlighting.com |

+44 (0)20 3021 8000